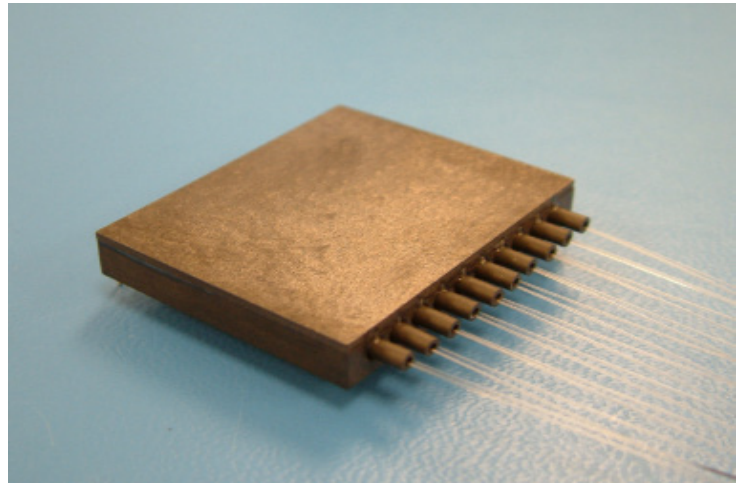


Integrated Tap Detector Array, 4, 8 and 10 Channels

Applications:

EDFA Power Monitoring/Control
 DWDM Channel Monitoring
 ROADM Port Monitoring/Control



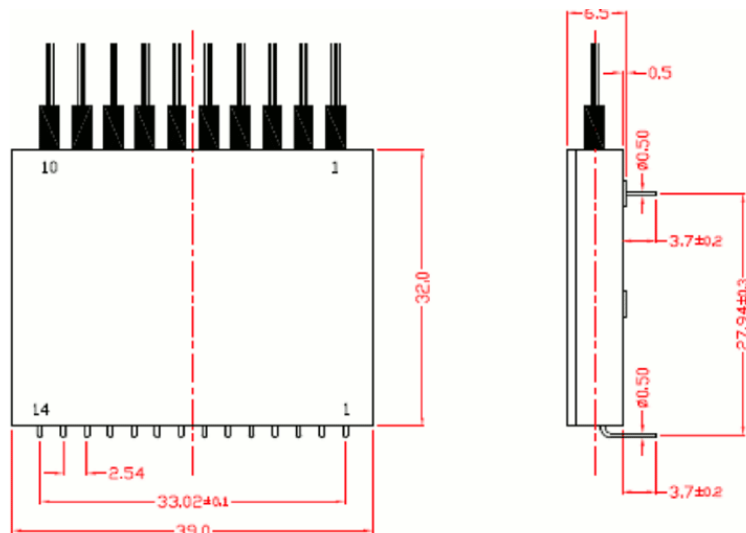
Features:

Low Insertion Loss	Low Dark Current	Broad Wavelength Range
Low Wavelength Dependent Loss	Telcordia GR-468-CORE Compliant	Excellent Thermal Stability

Description:

Go!Foton's Integrated Tap Detector Array combines optical couplers, based on NSG's filter-on-lens technology, with Go!Foton's proprietary PIN photodiodes to create a multi channel optical power monitor. The integrated design reduces the number of parts, minimizes fiber handling and results in a compact footprint, which simplifies assembly of amplifier and WDM monitoring devices. The hermetically sealed InGaAs photo detector has a low dark current, a flat and rapid power response and extremely high temperature stability across a wide wavelength range. This device is also available with "Ribbonized Fiber" option for easy connection.

Dimensions:



Dimensions; 10-Channel TAPD Array

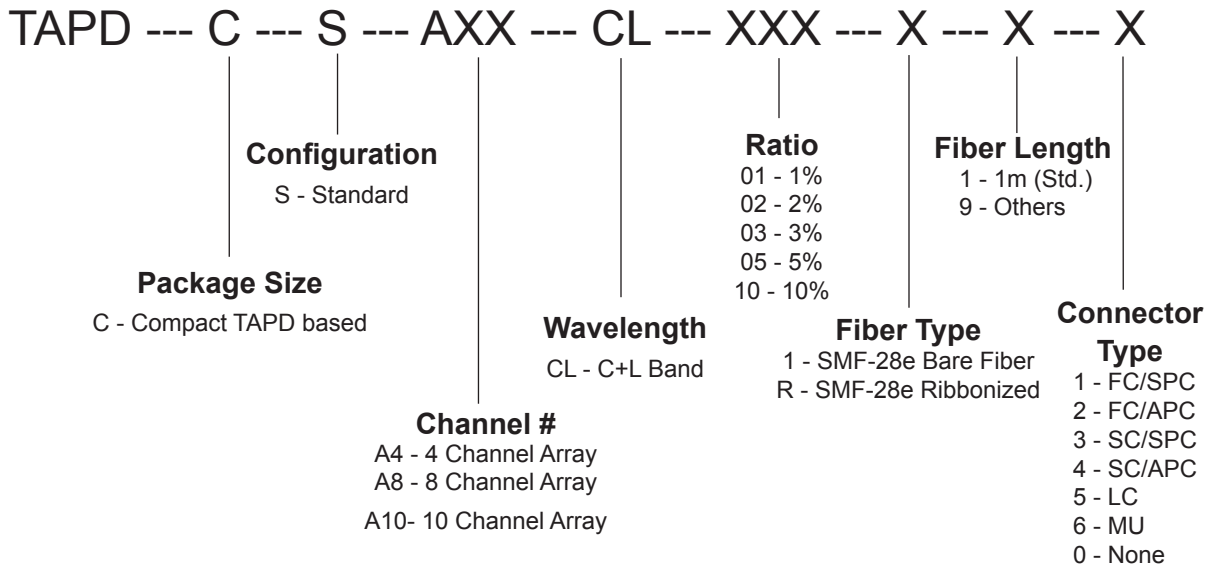
Specifications:

Tap Ratio	1%	2%	3%	5%	10%
Wavelength Range (nm)	1520 - 1610				
Insertion Loss - Express Channel (dB)	<0.5	<0.5	<0.5	<0.6	<0.8
Polarization Dependent Loss (dB)	<0.05				
Wavelength Flatness (dB)	<0.15				
Optical Return Loss (dB)	>50				
Responsivity (mA/W)	>8	>16	>26	>40	>70
PD Bias Voltage, V_R (V)	5				
PD Linearity (%)	+/-10				
PD Dark Current $V_R=5V$ (nA)	< 0.5(@RT) / < 5.0 (Top)				
PD Cut-off Frequency $V_R=5V, RL=50\Omega$ (MHz)	300 (Typ.)				
Optical Power Handling (dBm)	-15 ~23	-18~20	-20~18	-22~16	-25~13
Operating Temperature Range (°C)	0 ~ +75				
Storage Temperature Range (°C)	-40 ~ +85				
Fiber Type	SMF-28e or Equivalent				
Fiber Jacket (μ m)	250um Bare Fiber				
Fiber Length (m)	>1.0 (Std.)				
Package Size (mm)	4 Chennel; (L) 32 x (W) 16.4 x (H) 6.5				
	8 Channel; (L) 32 x (W) 31 x (H) 6.5				
	10 Channel; (L) 32 x (W) 39 x (H) 6.5				

All specifications are without fiber connectors.

* Simplified Ribbonized Fiber is available upon request.

Ordering Information:



Example: TAPD - C- S - A10 - CL - 05 - 1 - 1 - 0

TAP Detector 10-channel Array, 5% TAP ratio, C+L band wavelength, SMF-28e, 1m, No connector

GF-S-MKT-TAPDA-REV5-09-09